

ANAFI USA

Designed for the U.S. Army.
Made for Enterprise.



Made in the USA.
Blue sUAS program approved. NDAA & TAA compliant.

Parrot believes that drones are useful for everyday business. They must be easy to use and adaptable to complex missions.



ANAFI USA / USA SE



ANAFI USA GOV



ANAFI USA MIL

Pack contents

- 1 ANAFI USA drone
- 3 smart batteries (3x32 minutes)
- 1 Skycontroller 4
- 1 multi-port fast USB charger
- 1 additional set of propeller blades
- 4 USB-A/USB-C cables
- 1 USB-C/USB-C cable
- 1 hard case

- 1 ANAFI USA drone
- 3 smart batteries (3x32 minutes)
- 1 Skycontroller USA with its 8-inch display
- 1 multi-port fast USB charger
- 1 Skycontroller USA charger
- 1 additional set of propeller blades
- 3 USB-A/USB-C cables
- 1 USB-C/USB-C cable
- 1 hard case

- 1 ANAFI USA drone
- 3 smart batteries (3x32 minutes)
- 1 Skycontroller USA with its 8-inch display
- 1 multi-port fast USB charger
- 1 Skycontroller USA charger
- 1 additional set of propeller blades
- 3 USB-A/USB-C cables
- 1 USB-C/USB-C cable
- 1 hard case
- AES 256 encrypted Microhard radio communication system
- TOGA (Tactical Open Government Architecture) compatible

Certifications

- IP53 certified (dust and rain resistant)
- CE (European Union)
- FCC (United-States)
- IC (Canada)
- UKCA (United-Kingdom)
- TELEC (Japan)
- NCC (Taiwan)
- KC (Korea)
- IMDA (Singapore)

- IP53 certified (dust and rain resistant)
- NDAA & TAA compliant
- Blue sUAS program approved

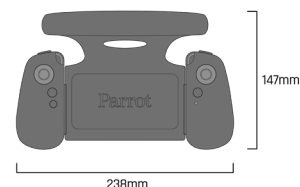
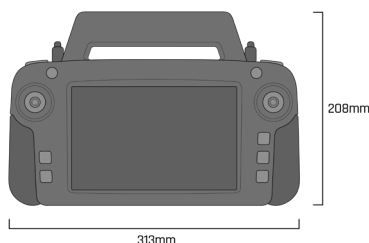
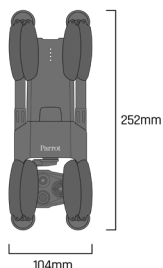
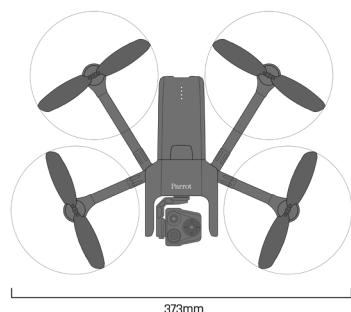
- IP53 certified (dust and rain resistant)
- NDAA & TAA compliant
- Blue sUAS program approved

Additional features

- Micro-HDMI port on Skycontroller 4
- On ANAFI USA SE only:
 - Software-unlock maximum ascent speed: 6 m/s
 - Disable the LED Lights
 - Customize or disable the auto-RTH function to maximize airtime and range
 - Importing KML and TMS map tiles for up-to-date and optimal situational awareness
 - Share precise co-ordinates
 - Take off / land from the hand
 - Take off from a moving vehicle or vessel

- Software-unlock maximum ascent speed: 6 m/s
- Disable the LED Lights
- Customize or disable the auto-RTH function to maximize airtime and range
- Import KML and TMS map tiles for up-to-date and optimal situational awareness
- Share precise co-ordinates
- Take off / land from the hand
- Take off from a moving vehicle or vessel
- External antenna connection for in-vehicle user environments
- Cursor on Target feature: indicates the coordinates and location of a point targeted on the screen
- RJ45 / LAN port on Skycontroller USA

- Software-unlock maximum ascent speed: 6 m/s
- Disable the LED Lights
- Customize or disable the auto-RTH function to maximize airtime and range
- Import KML and TMS map tiles for up-to-date and optimal situational awareness
- Share precise co-ordinates
- Take off / land from the hand
- Take off from a moving vehicle or vessel
- External antenna connection for in-vehicle user environments
- Cursor on Target feature: indicates the coordinates and location of a point targeted on the screen
- RJ45 / LAN port on Skycontroller USA



TECHNICAL SPECIFICATIONS

DRONE

- Size folded: 252 x 104 x 84 mm
- Size unfolded: 282 x 373 x 82 mm
- Size unfolded on MIL version: 282 x 373 x 192 mm
- Mass: 500 g / 1.10 lb
- Maximum take-off mass (MTOM): 644 g / 1.42 lb.
- Maximum flight time: 32 minutes (30 minutes on MIL version)
- Maximum horizontal speed: 14.7 m/s
- Maximum ascent speed: 4 m/s (6 m/s on unlocked SE, GOV and MIL versions)
- Maximum descent speed: 3 m/s
- Maximum wind resistance: 14.7 m/s
- Maximum propeller speed: 11,000 rpm
- Sound power level at 1 m (3 ft): 84 dB
- Service ceiling: 5,000 m above MSL (Mean Sea Level)
- User defined geofencing
- IP53 certified: dust and rain resistant
- Operating temperature: -33 °F (-36 °C) to +122 °F (+50 °C)
- No take-off temperature limitations

SECURITY

- Zero data shared by default
- SD card AES-XTS encryption with a 512 bits key
- WPA2 AES CCMP encrypted network connections
- Digitally signed firmware

SENSORS

- Satellite navigation: GPS, GLONASS & GALILEO
- Barometer and magnetometer
- Vertical camera and ultra-sonar
- 2 x 6-axis IMU
- 2 x 3-axis accelerometers
- 2 x 3-axis gyroscopes

EO IMAGE CHAIN

- 2 sensors: 1/2.4"
- Digital zoom: 32x
- Electronic shutter speed: 1 s to 1/10,000 s
- ISO range: 100 - 3200
- Video resolution: 4K/FHD/HD
- Video format: MP4 (H.264)
- Photo resolutions:
 - Wide: 21 MP (84° FOV)
 - Rectilinear: up to 16 MP (up to 75.5° FOV)
- Photo formats: JPEG, DNG (Digital Negative RAW)

IR IMAGE CHAIN

Sensor: FLIR BOSON

- Digital zoom: 32x
- -40 °C to +150 °C temperature range
- Thermal sensitivity: ≤60 mK
- Measured IR wavelength range: 7.5 to 13 micrometers
- Video resolution: 1280 x 720 px
- Video format: MP4 (H.264)
- Framerate: 9 fps
- Photo resolution: 320 x 256 px
- Photo format: JPEG

IMAGE STABILIZATION

- 3-camera IR/EO stabilized gimbal:
 - Hybrid: 3-axis
 - Mechanical: 2-axis roll / pitch
 - Electronics (EIS): 3-axis pitch / roll / yaw
- Controllable gimbal tilt range: -90° to +90°

FAST-CHARGING SMART BATTERY

- Type: High density LiPo (3 x 4.4 V cells)
- Capacity: 3,400 mAh
- Battery life: 32 minutes
- Charging port: USB-C
- Charges in 2h with a USB-PD (Power Delivery) charger
- Mass: 195 g / 0.43 lb.
- Voltage: 11.55 V
- Max charging power: 30 W

PARROT SKYCONTROLLER 4

- Size without device: 238 x 147 x 55 mm
- Maximum size: 315 x 147 x 55 mm
- Mass: 610 g / 1.34 lb
- Transmission system: Wi-Fi 802.11 a/b/g/n
- Operating frequencies: 2.4 GHz, UNII-1 & UNII-3
- Direct video stream resolution: 720p
- Battery capacity: 3,350 mAh 7.2 V
- 3 h 45 charging time
- Between 3 h and 6 h battery life (varies according to the device used and its state of charge)
- Compatible with all smartphones and tablets up to 8"
- Ports: 2 x USB-C (charging and connecting), micro-HDMI
- IP5X certified: dust resistant

PARROT SKYCONTROLLER USA

- Size: 313 x 208 x 72 mm
- Size with antenna unfolded (on MIL version): 313 x 208 x 173 mm
- Mass: GOV version: 1.14 kg / 2.51 lbs, MIL version: 1.16 kg / 2.56 lbs
- NDAA & TAA compliant
- Transmission system: Wi-Fi 802.11 a/b/g/n (+ additional Microhard radio on MIL version)
- Operating frequencies: 2.4 GHz, UNII-1 & UNII-3
- Direct video stream resolution: 720p
- Battery capacity: 5,000 mAh 7.2 V
- 2 h charging time
- 4 h 30 battery life
- Based on 8" Samsung Galaxy Tab A
- Ports: USB-C, USB-A, Ethernet
- IP53 certified: dust and rain resistant

ANAFI USA MIL

- Radio: Microhard pDDL1800 1.8 GHz
- TOGA (Tactical Open Government Architecture) compatible
- Foldable antennas
- AES 256 encryption
- Additional mass:
 - 20 g on ANAFI USA
 - 20 g on the Skycontroller USA

ECOSYSTEM

- Open Source SDK for Developers
- Extensive Partner Program

Parrot