

BU-19+

Wired Covert CMOS Camera Kit

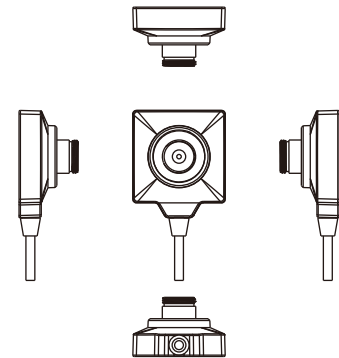


Features:

- Two version: NTSC/PAL
- External microphone
- High resolution
- Miniture size, button design to undergo covert mission
- Work in dark
- Interchangeable covert head
- Easy installation with standard analog jack



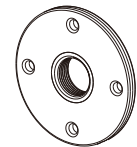
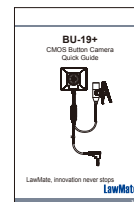
Product Sketch



Specification

Model Number	BU-19+
Image Pick-up Device	SONY 1/2.8 Starvis Sensor
Effective Picture Elements	NTSC: 720H x 480V , PAL:720H x 576V (H*V)
Frequency	NTSC: 15.734KHz(H), 59.94Hz(V); PAL: 15.625KHz(H), 50Hz(V)
Horizontal Resolution	520 TV lines
Minimum Illumination	0.01LUX @F2.0
Angle of View	50°
S/N Ratio	More than 45dB
Auto Electronic Shutter	NTSC:1/60s~1/100,000s, PAL:1/50s~1/110,000s
Gamma Characteristic	0.45γ
Gain Control	Automatically
White Balance	Automatically (2300°K~8600°K)
Synchronous System	Negative sync. Internal
Video Output	1 Vp-p Composite Video / 75 Ohms.
Power Supply	DC 5V / 150 mA
Operating Temp.	-10°C to 50°C (14°F to 122°F)
Dimensions	24.8mm(L) *24.8 mm (W) * 17 mm(H)

Package Content



Quick Guide DIY Lens cover button



Button Kit

Optional Accessories



PV-500ECO2

CE/FCC Certified

* Specifications are subject to change without prior notice.

※ This product is for Law Enforcement and Home Security Use Only!



Contact Us:
Tel. +385 51 673 400
Fax. +385 51 671 542

Mail:
info@spyshopeurope.com
sales@spyshopeurope.com

Beling d.o.o.
Franje Čandeka 23B
51000 Rijeka, Croatia
VAT No. HR 80249393012